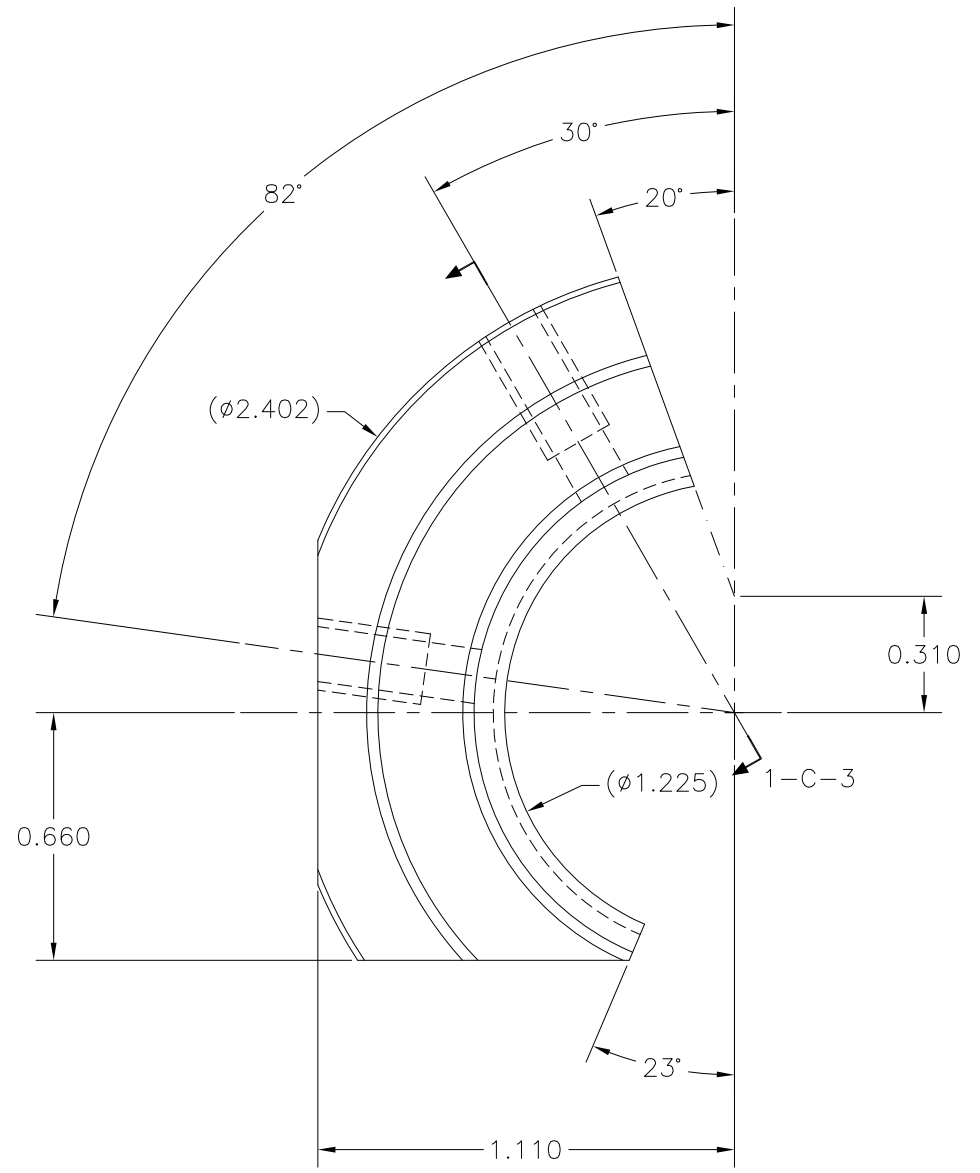


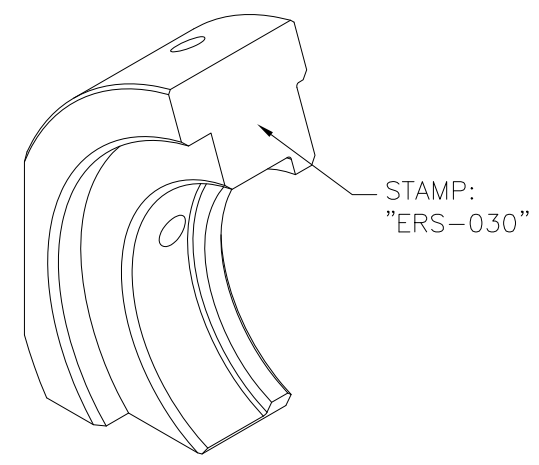
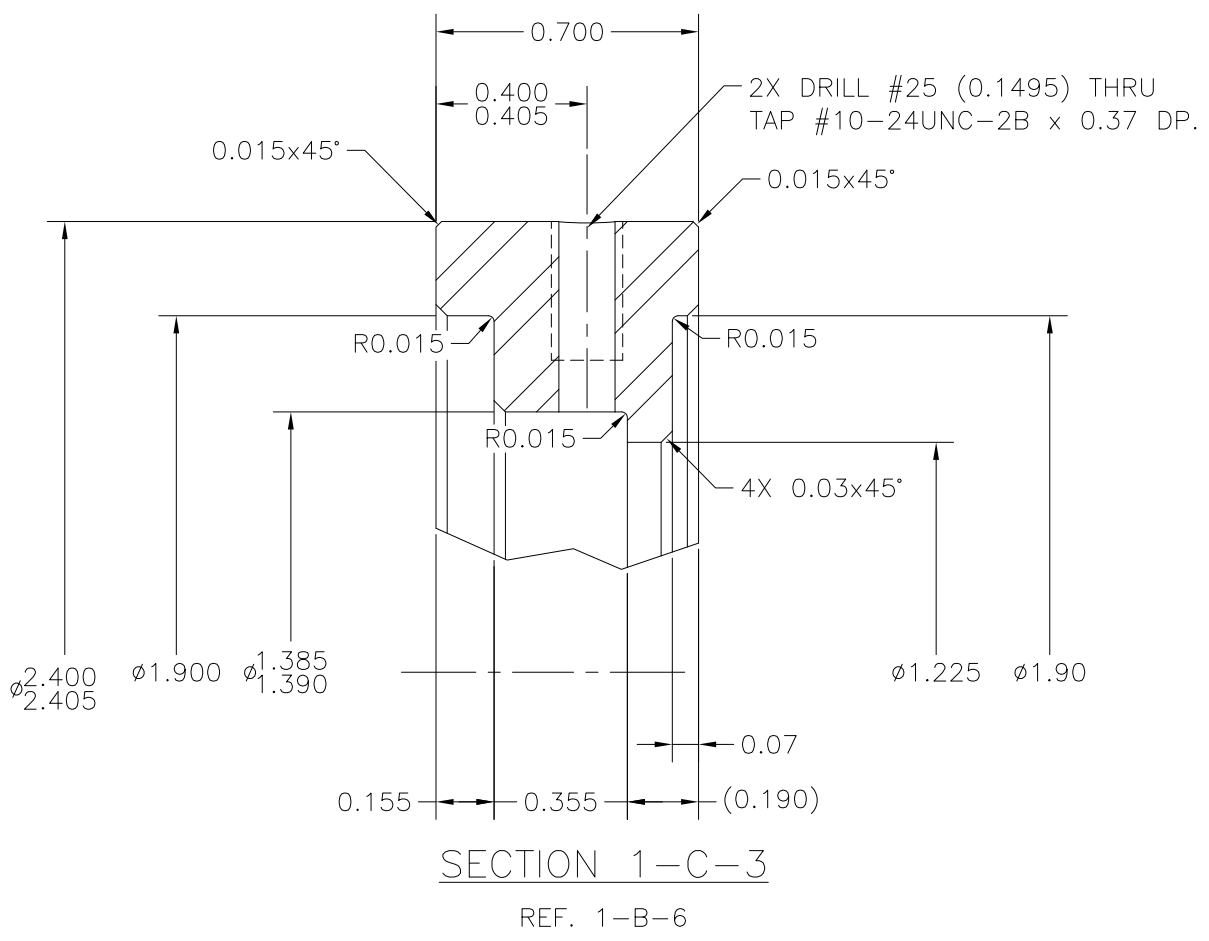
NOTES:

1. MATERIAL: 316 OR 321 STAINLESS STEEL
2. HEAT TREAT: NONE
3. SURFACE TREATMENT: NONE
4. WEIGHT: 0.20 LBS.

REVISIONS				
NO	DESCRIPTION	DATE	BY	APR/DATE
0	ISSUED FOR MANUFACTURE	2/21/11		



END VIEW 1-C-7
 UPPER BEARING HOLDER
 ONE REQ'D AS SHOWN
 ONE REQ'D MIRROR IMAGE



PICTORIAL 1-B-3
 UPPER BEARING HOLDER
 N.T.S.

TOLERANCES: UNLESS OTHERWISE SPECIFIED 0.X ± 0.030 0.XX ± 0.010 0.XXX ± 0.005 ANGLES ± 1/2° BREAK EDGES 0.015 x 45° MIN. FINISH 125 ✓ [Symbol] 0.010[A] ALL DIMS ARE IN INCHES, UNLESS NOTED OTHERWISE.	PROPRIETARY NOTICE THIS DRAWING AND THE INFORMATION IT CONTAINS ARE CONSIDERED CONFIDENTIAL, AND MAY NOT BE REPRODUCED, COPIED OR USED, IN PART OR IN WHOLE, WITHOUT PRIOR WRITTEN CONSENT.	Integrated Ocean Drilling Program TEXAS A&M UNIVERSITY 1000 DISCOVERY DRIVE COLLEGE STATION, TX 77845	
		SHEET 1 OF 1 SCALE 4:1 BY MM DATE 2/21/11	TITLE LOWER BEARING HOLDER PAIR SYSTEM ERS v.2 APPROVED DH CHECKED DH SIZE 3" ERS P/N ERS-030 REV. 0